

# PolarPlus+

## User's manual



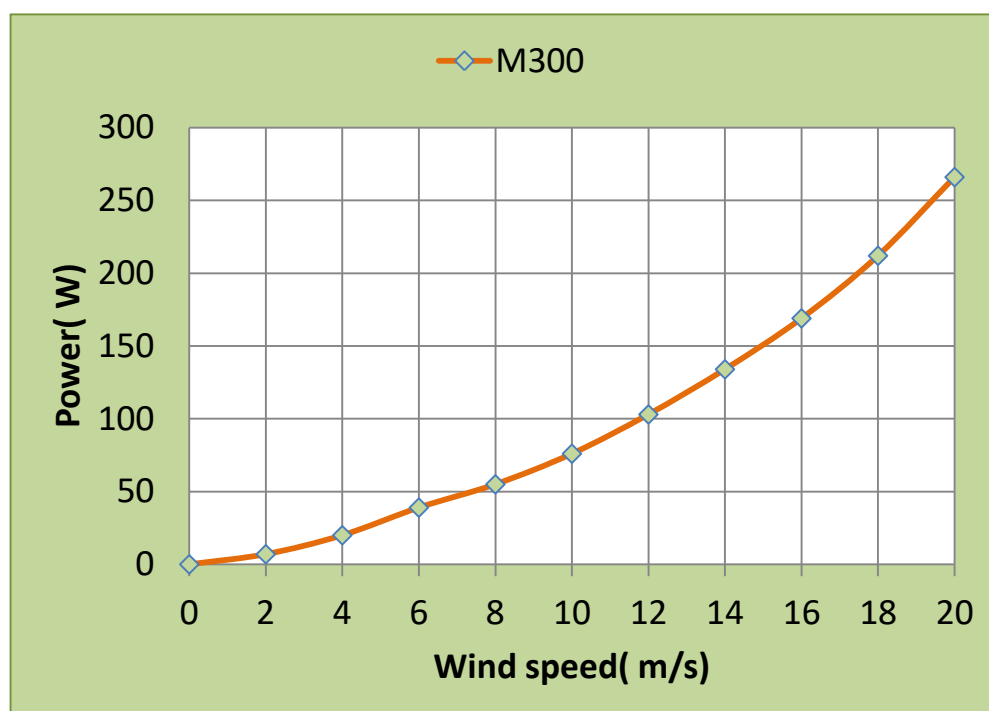
### Caution:

- 1. Thank you for purchasing the PolarPlus Wind generator. Please refer to the manual before installation;**
- 2. The installation should be done by the experienced technicians. Please refer to the manual strictly;**
- 3. Do not open the generator or controller without instructions while doing the maintenance.**
- 4. Please install the system under no-wind weather.**
- 5. The series are street lighting wind generators and do not recommend for family power generation.**

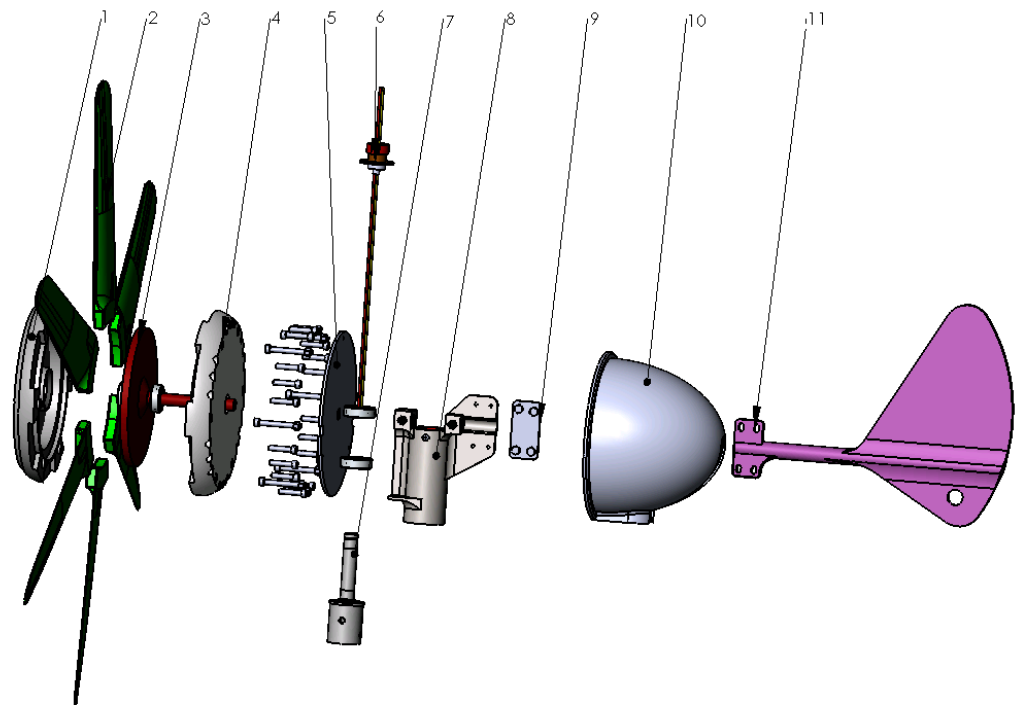
## 1. Technical Parameter

Model	P12M300 / P24M300
Rated Power(W)	90
Rated Voltage (DCV)	12 / 24
Start-up wind speed (M/S)	1.0
Survival wind speed (M/S)	35
Generator type	PMG
Rotor diameter (M)	0.82
Blade No. (pcs)	6
Blade material	Reinforced fiber glass
Nacelle material	Plastic
Pre-drilled shaft diameter (mm)	41,5
Controller	Built-in
Protection mode	Short circuit
Designed lifetime (year)	15-20
Net weight (kg)	11,1
Packing form	Carton
Protection grade	IP65

## 2. Power Curve



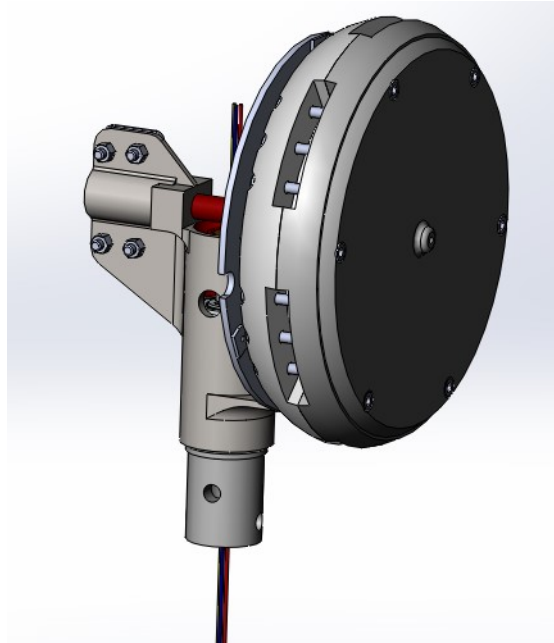
### 3. Structure



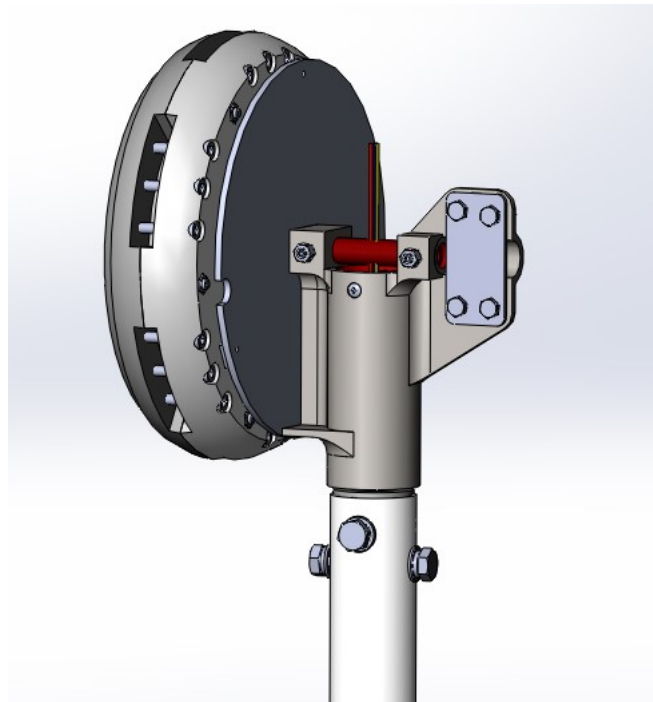
No.	Description	No.	Description
1	Front cover	7	Gyro support
2	Blades	8	Gyro
3	Stator	9	Pressing plate
4	Back cover	10	Back nose cone
5	Clamp	11	Tail vane
6	Slip ring		

#### 4. Installation

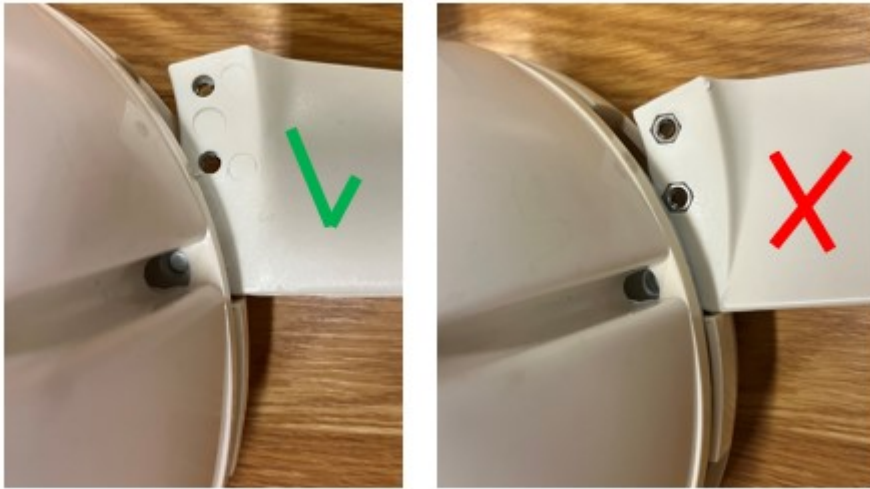
- Connect the cables with the terminal from generator. Please pay attention to the positive and negative. The cable will be elicited from the tower.



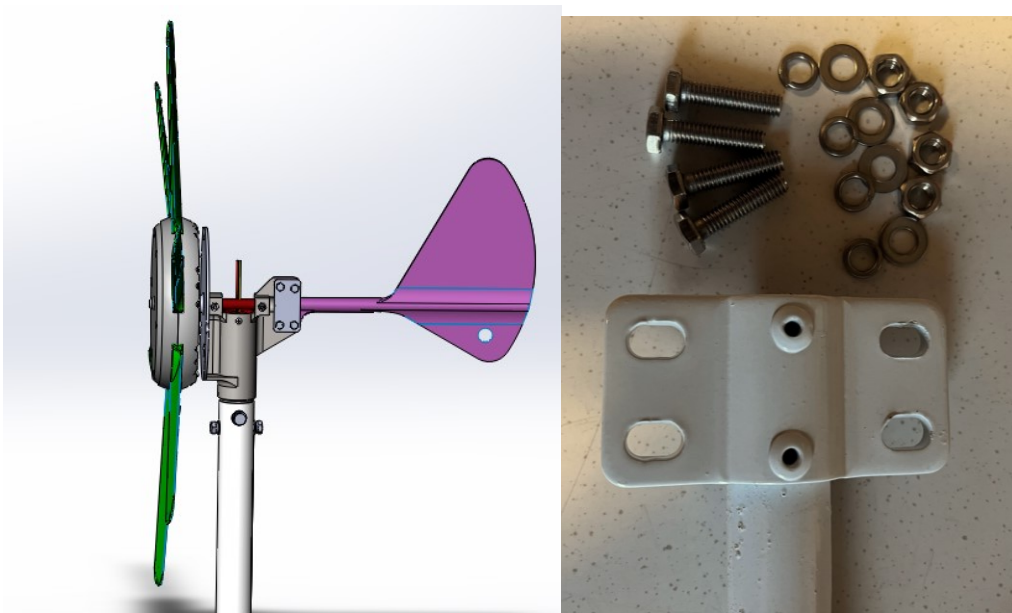
- Connect the small pole and tower with 4 pcs of nuts (M 10\*16 ).



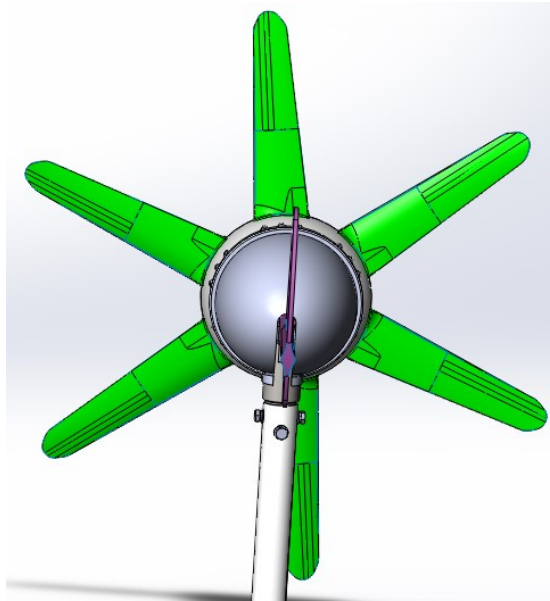
- Install the blades to the generator with 18 pcs of bolts (M6\*28).



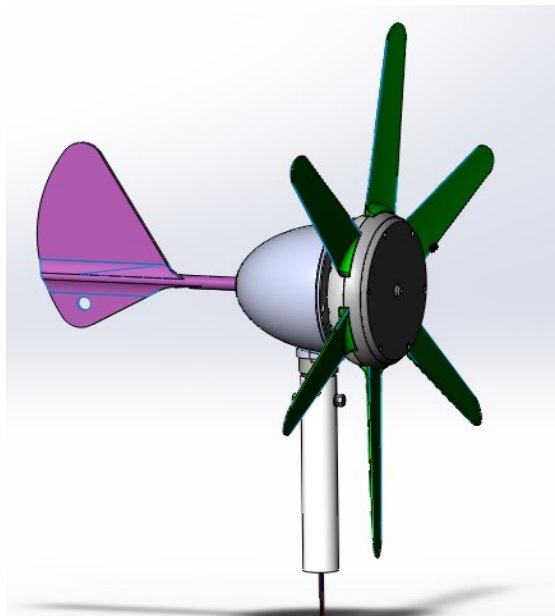
- Fasten the tail rod, rod plate and generator with 4 pcs of screws (M6\*30).



- Fasten the gyator front cover to the back cover via 3 pcs of bolts (M5\*10).

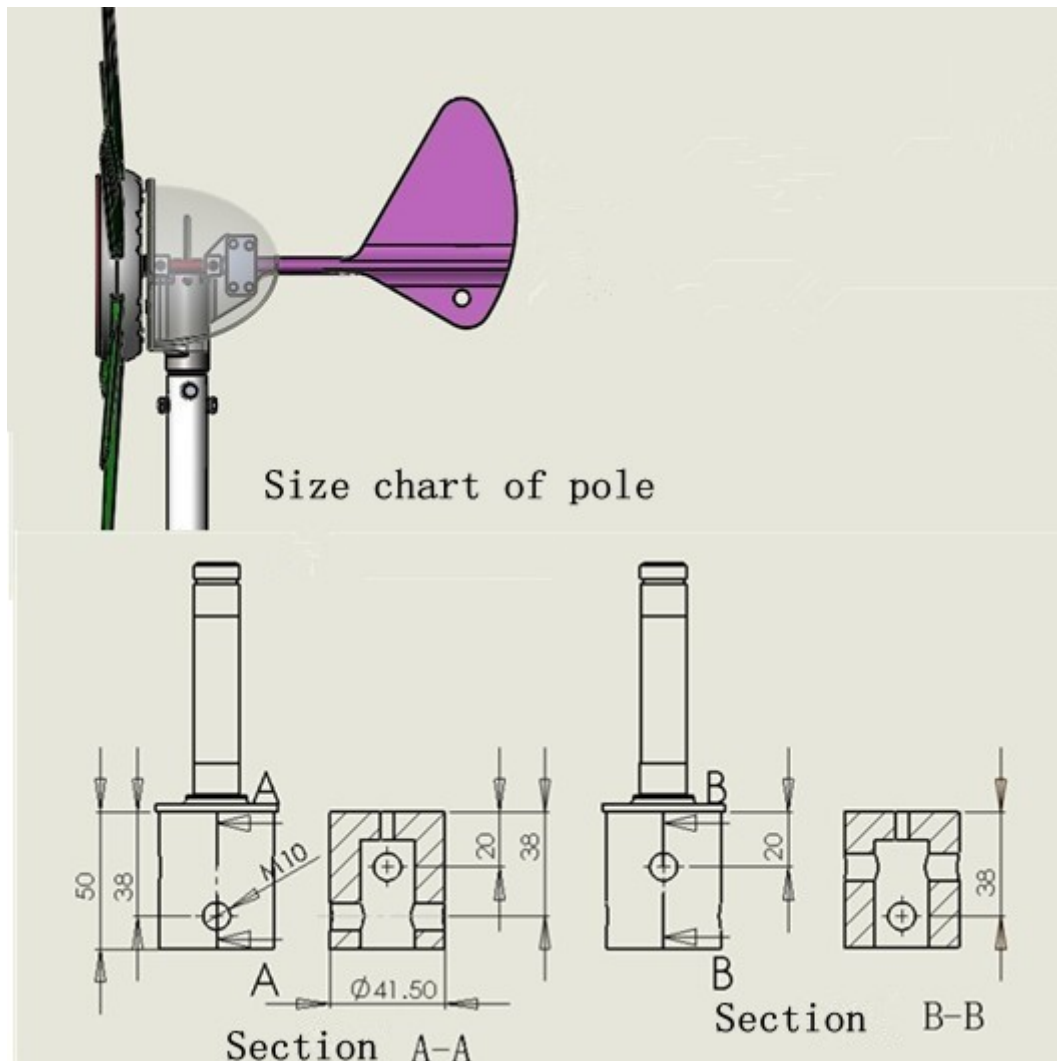


- Connect the cable elicited from generator to the battery. (Note: red for positive and black for negative)



### **3. Special note:**

**Connection diagram between wind generator and pole**



1. Connect small pole and pipe (48\*2.5mm diameter).
2. Drill 2 pcs of symmetrical screw holes (12mm diameter) above a distance of 20mm at the upper end of pipe.
3. Clockwise 90° in the hole above the distance of 20mm, and drill 2 pcs of symmetrical screw holes (12mm diameter) above a distance of 38mm at the upper end of pipe.
4. Fasten the pipe between wind generator and tower with 4 pcs screws (M10).

**Note:**

**The joints between wind generator and pole need a torque of 80nm.**

**Fix with locking grain rubber in suitable condition.**